

POLY-FASTENER®



SILAGE

COMPOST

GRAIN BAGS

THE FASTENER ...



- ➔ Provides a 99.9% water tight seal when closing any agriculture bag.
- ➔ Effective in most weather conditions; rain, wind or shine.
- ➔ Reusable, year after year! No bothering with heat welding or 2 x 4s.

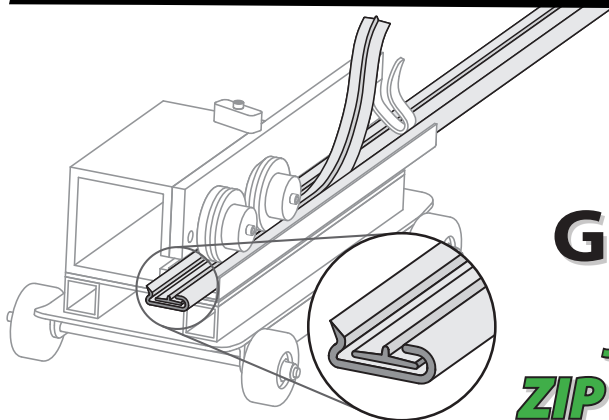


Just ZIP IT ON!

... IN ACTION

Curry Industries Ltd. • 19 Burnett Avenue, Winnipeg, MB, Canada R2G 1C2
Ph. (204) 661 1729 • Fax (204) 661 1894 • Canada (800) 538 0008 • US (877) 337 8700
curryind@mts.net • www.curryindustries.com

Introducing the **POLY-FASTENER**[®] **BAG ZIPPER**



SILAGE COMPOST GRAIN BAGS

*Just
ZIP IT ON!*

- ➔ From edge to edge in less than 10 seconds.
- ➔ Easy and quick setup to speed your bagging time and keep the trucks rolling.
- ➔ Works from dawn 'til dusk in wet and windy conditions.



HAND-CRAFTED PRECISION

Curry Industries Ltd. • 19 Burnett Avenue, Winnipeg, MB, Canada R2G 1C2
Ph. (204) 661 1729 • Fax (204) 661 1894 • Canada (800) 538 0008 • US (877) 337 8700
curryind@mts.net • www.curryindustries.com